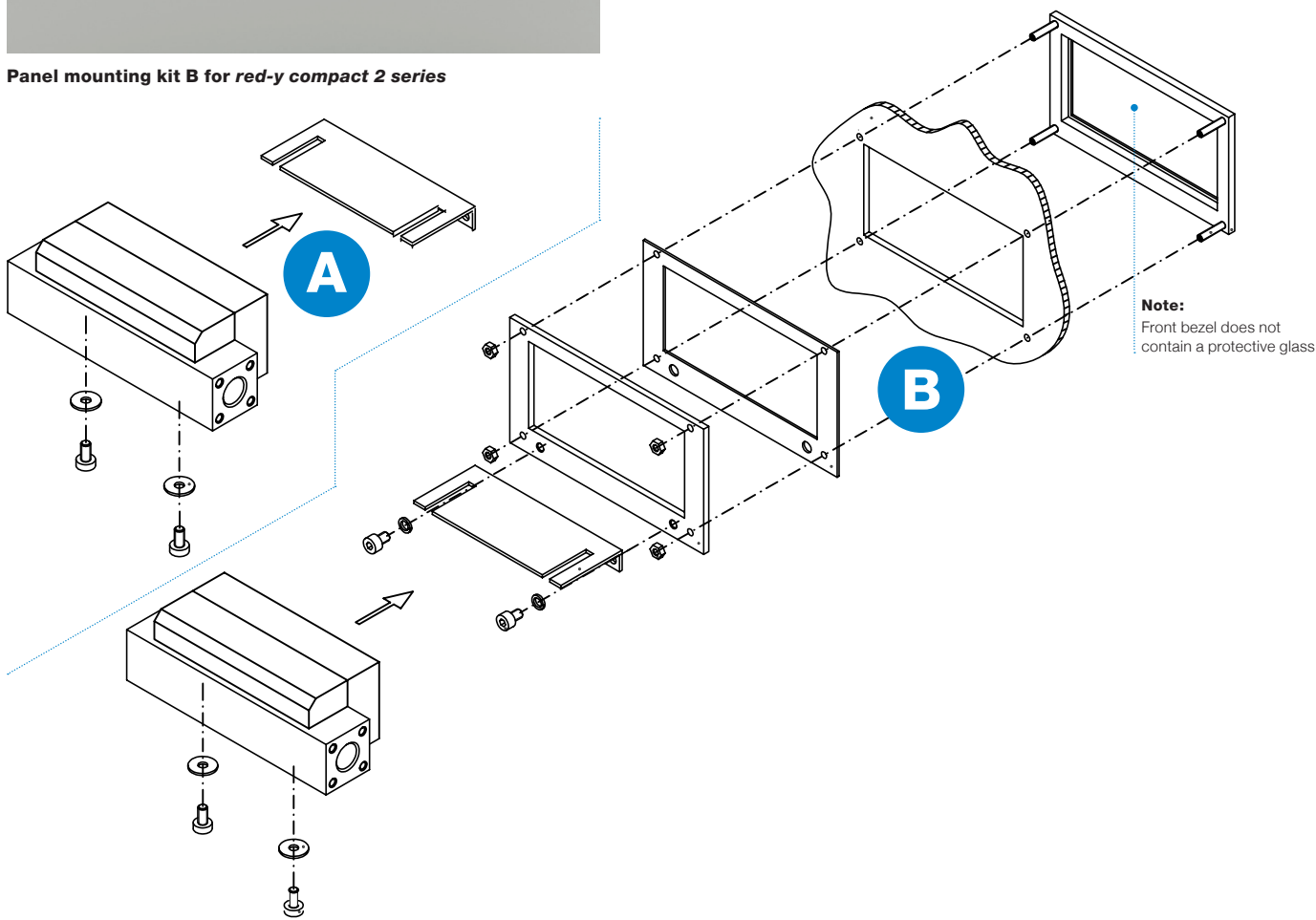


Panel mounting kit *red-y compact series*



Panel mounting kits for the digital mass flow devices of the *red-y compact series*.
 Two different mounting kits are available: **Kit A** with mounting bracket and **Kit B** with mounting bracket and front bezel.
 Both panel mounting kits can be used for device generation *compact 1 & 2*.
 All required mounting screws are included.

Panel mounting kit B for *red-y compact 2 series*



A Panel Mounting Kit A
Mounting bracket

B Panel Mounting Kit B
Mounting bracket with front bezel

Device generation	Panel Mounting Kit A		Panel Mounting Kit B	
	<i>red-y compact 1</i>	<i>red-y compact 2</i>	<i>red-y compact 1</i>	<i>red-y compact 2</i>
G1/4" version	Art.-N° 328-3803	Art.-N° 328-3803	Art.-N° 328-3801	Art.-N° 328-3801
G1/2" version	Art.-N° 328-3804	Art.-N° 328-3804	Art.-N° 328-3802	Art.-N° 328-3802
Environmental Protection	IP-50	IP-50	IP-65	IP-50
Mounting screws*	Included	Included	Included	Included

*all screws represented on exploded drawing A or B are always included

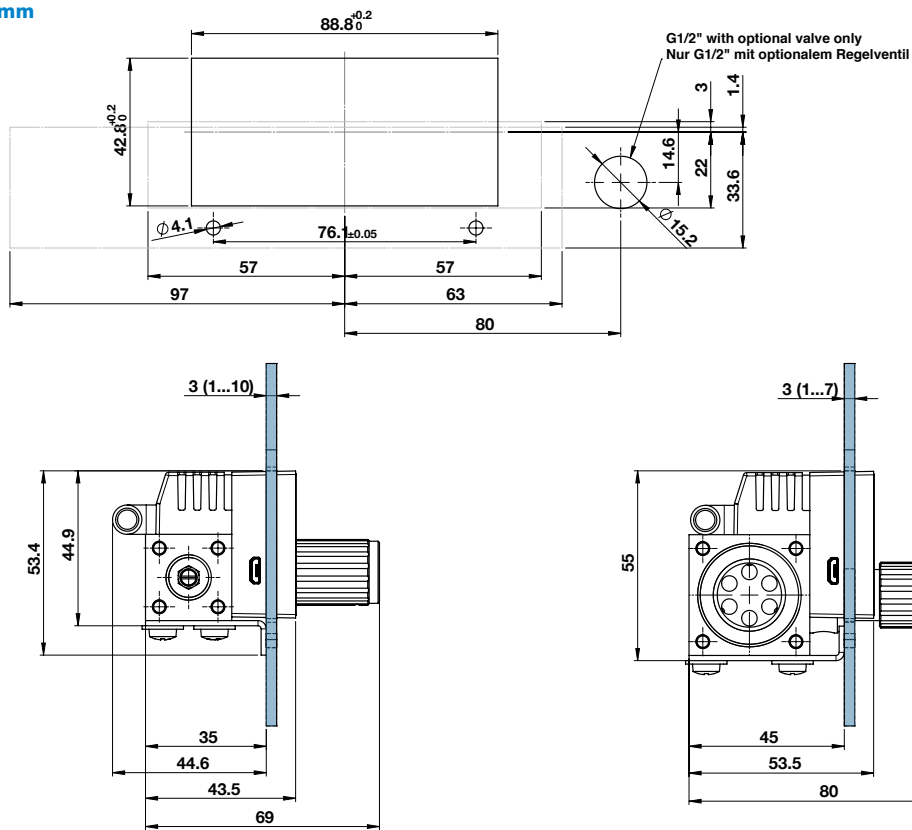
See next pages for dimension drawings »



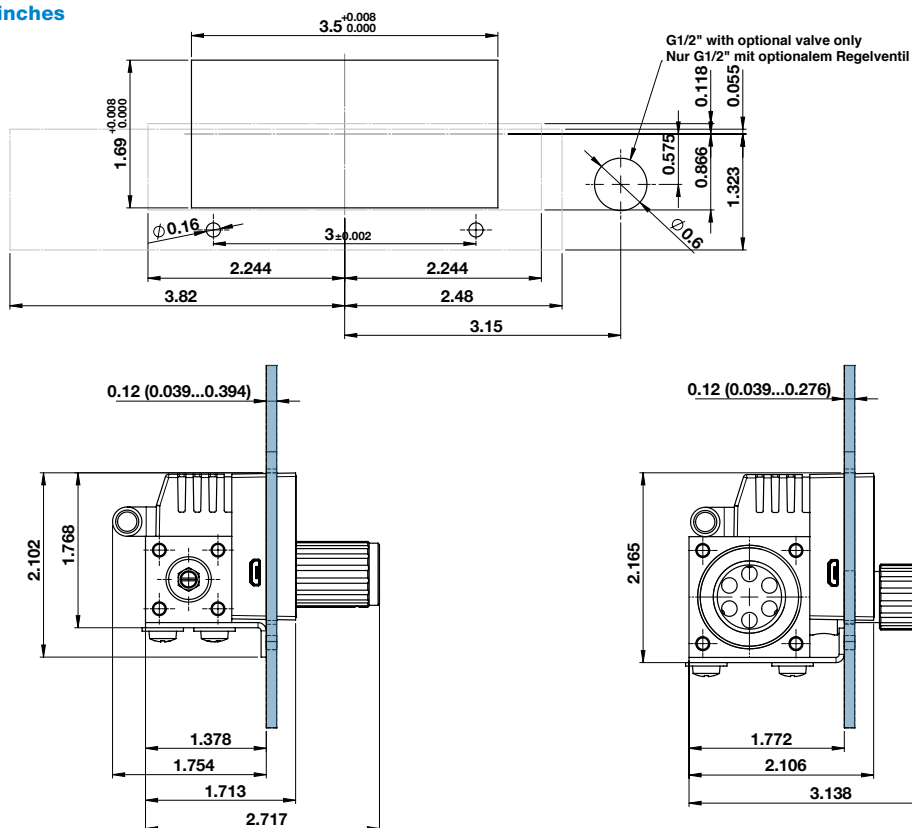


Panel Mounting Kit A – Mounting bracket

Dimensions in mm

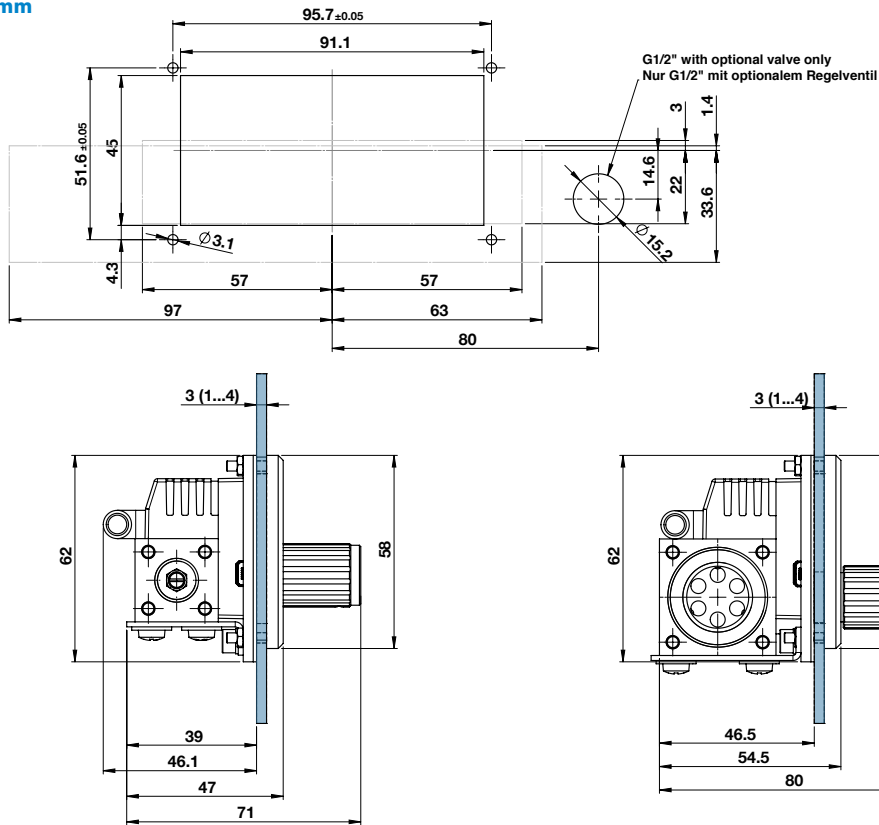


Dimensions in inches



B Panel Mounting Kit B – Mounting bracket with front bezel

Dimensions in mm



Dimensions in inches

