

M-Flow product information



High-precision control valves for gases and liquids

Precise setting and tightly closing: High-precision control valves M-Flow

The high-precision control valves allow an accurate flow adjustment and V-Stack offers a scalable gas distribution system.

Tightly closing valves



The valves are tight-closing

Different device setups



The valves are available as straight valves, corner valves, or valve cartridges for self-mounting

Direction of closing



Cw- or ccw-closing versions are available



Various knobs

Different rotary knobs are available:

- Standard knob
- Standard knob with locking ring (see picture)
- Digi knob, 100 divisions
- Locking nut (instead of standard knob)
- Digiturn with display, 100 division

Gas distribution system V-Stack

The compact gas distribution system V-Stack is capable of metering up to 12 outlets individually



- 1 inlet (G 1" female)
- Up to 12 outlets with one valve per outlet (G 1/2" female)
- Can be easily expanded by the customer (up to 12 outlets)
- Type 35 instrument size only



V-Stack
with 8 outlets and Digiturn knob with display



M-Flow 25
Digi knob
100 divisions



M-Flow 25
Digiturn with display
100 divisions

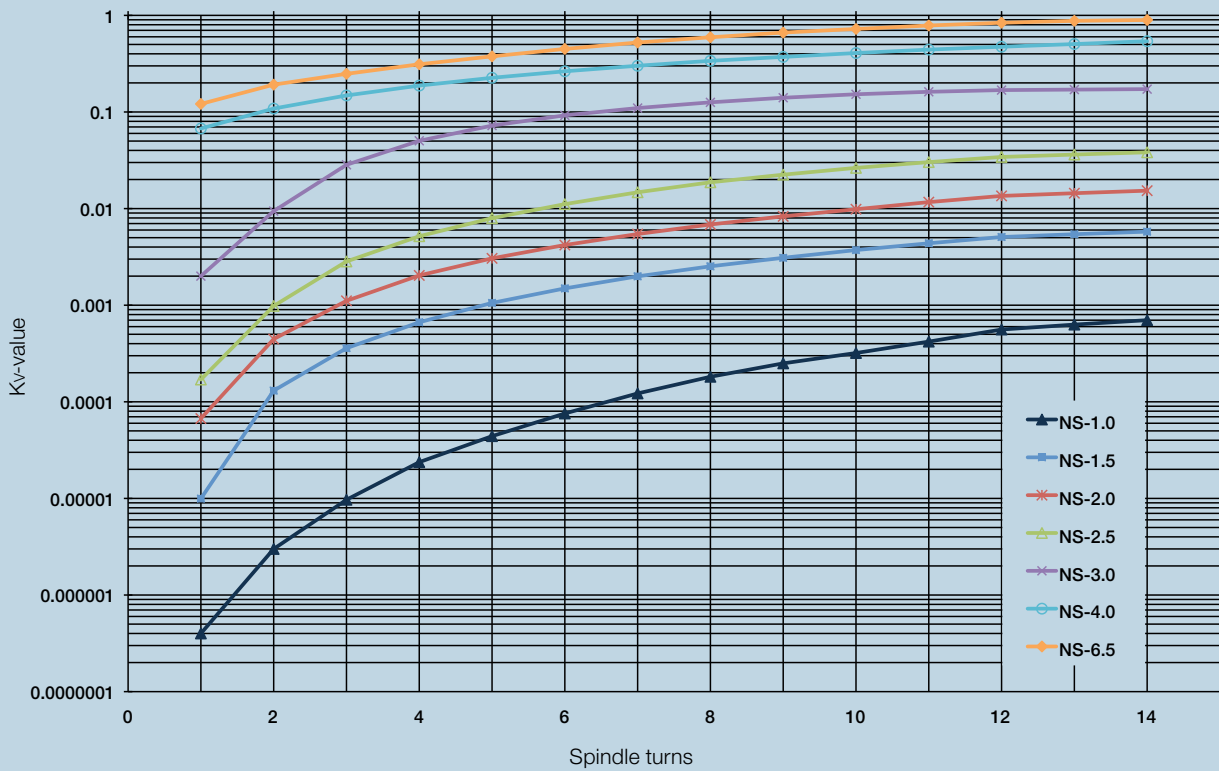
Technical specifications high-precision control valves M-Flow

Instrument versions	<p>Compact, modular construction</p> <p>Aluminium/brass or stainless steel</p> <p>Seal materials: FKM, EPDM or FFKM</p> <p>Straight valve, corner valve or valve cartridges (for self-mounting)</p> <p>Leak-proof when closed</p> <p>15 turn spindle, no hysteresis</p> <p>Cw- or ccw-closing</p> <p>Different Kv-values for optimum control ranges</p> <p>Non-rotating valve needles for stable settings</p> <p>Every M-Flow valve is tested and controlled</p> <p>We provide customer-specific versions</p>			
Instrument versions	Setup	<p>Straight valve</p> <p>Corner valve</p> <p>Valve cartridge</p> <p>Distributor</p>		
	Material	<p>Aluminium/brass/FKM</p> <p>Stainless steel/FKM</p> <p>Stainless steel/EPDM</p> <p>Stainless steel/FFKM</p>		
	Connection	<p><i>M-Flow 25</i> G 1/4" female*</p> <p>G 1/8" female</p> <p>G 1/4" female for compression fittings</p> <p>NPT 1/4" female</p> <p><i>M-Flow 35</i> G 1/2" female</p> <p><i>M-Flow V-Stack</i> Inlet: G 1", Outlet: G 1/2"</p>		
	Valve rotating direction	Cw-* or ccw-closed		
	Actuator	<p>Standard knob*</p> <p>Standard knob with locking ring</p> <p>Digi knob, 100 divisions, ccw-closed valve</p> <p>Locking nut (instead of standard-knob)</p> <p>Digitum, 100 divisions, cw-closed valve</p>		
Technical data	Type	M-Flow 25	M-Flow 35	M-Flow V-Stack
	Straight valve	●	●	
	Corner valve	●		
	Valve cartridge	●	●	
	Gas distribution system			●
	Cw-closed	●	●	●
	Ccw-closed	●		
	Leak rate	< 1 x 10 ⁻⁵ mbar l/s He	< 1 x 10 ⁻⁵ mbar l/s He	< 1 x 10 ⁻⁵ mbar l/s He
	Max. pressure	20 bar	20 bar	20 bar
	Min. temperature	-40 °C	-40 °C	-40 °C
	Max. temperature	150 °C	150 °C	150 °C

*Standard – Subject to technical alterations

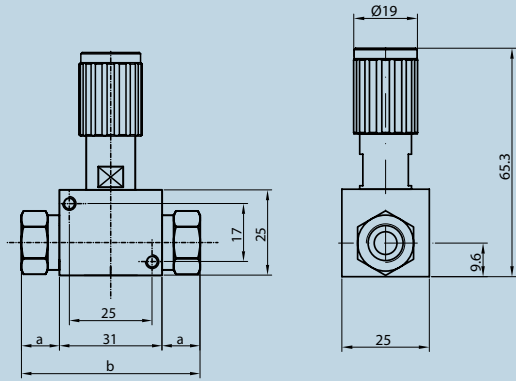
Kv-values high-precision control valves M-Flow (air)

Kv-values for valves NS 1.0 to NS 3.0 (M-Flow 25) and NS 4.0 to NS 6.5 (M-Flow 35)



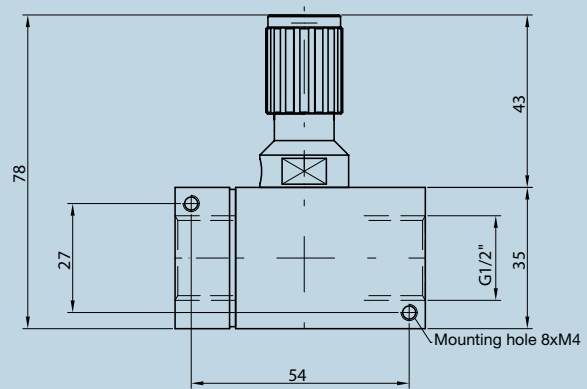
Dimensions high-precision control valves M-Flow

M-Flow 25 (dimensions in mm)



Find detailed dimensions for fittings, knobs and corner valve in the V-Flow Line manual

M-Flow 35 (dimensions in mm)



Find detailed dimensions for fittings and knobs in the V-Flow Line manual

Type code high-precision control valves M-Flow

Instrument type	M-Flow	F	L	M																
Instrument size	25									A										
	35									B										
	V-Stack									C										
Materials (body, seals)	Aluminium/brass, FKM									S										
	Stainless steel, FKM									E										
	Stainless steel, EPDM									T										
	Stainless steel, FFKM									W										
	Customer-specific / OEM									K										
Setup	Straight valve**									S										
	Corner valve									E										
	Valve cartridge (without body)									O										
	V-Stack, 1 valve/outlet									B										
	V-Stack, 2 valves/outlets									C										
	V-Stack, 3 valves/outlets									D										
	V-Stack, 4 valves/outlets									F										
	V-Stack, 5 valves/outlets									G										
	V-Stack, 6 valves/outlets									H										
	V-Stack, 7 valves/outlets									I										
	V-Stack, 8 valves/outlets									J										
	V-Stack, 9 valves/outlets									M										
	V-Stack, 10 valves/outlets									N										
	V-Stack, 11 valves/outlets									P										
	V-Stack, 12 valves/outlets									Q										
	Customer-specific / OEM									K										
Valve (rotating direction)	Valve cw-closed**									S										
	Valve ccw-closed									L										
	Customer-specific / OEM									K										
Process connection (in- and outlet)	G 1/4" female** (Type 25)																			S
	G 1/8" female (Type 25)																			B
	G 1/4" female, compression fittings (Type 25)																			C
	NPT 1/4" female (Type 25)																			D
	G 1/2" female (Type 35)																			S
	Inlet: G 1", Outlet: G 1/2" (Type V-Stack)																			S
	Customer-specific / OEM																			K
Valve size	NS 1.0 (Type 25)																			A
	NS 1.5 (Type 25)																			B
	NS 2.0 (Type 25)																			C
	NS 2.5 (Type 25)																			D
	NS 3.0 (Type 25)																			E
	NS 4.0 (Type 35 / V-Stack)																			F
	NS 6.5 (Type 35 / V-Stack)																			G
	Customer-specific / OEM																			K
Options	Locking ring (for standard knob)																			A
	Locking nut (instead of standard knob)																			B
	Digiturn (cw-closed valve only)																			C
	Star grip for digiturn																			D
	Digi knob, 100 divisions (ccw-closed valve only)																			L
	Hose connectors PVC, G 1/4" / 4mm																			N
	Hose connectors PVC, G 1/4" / 6mm																			O
	Hose connectors PVC, G 1/4" / 8mm																			Q
	Customer-specific / OEM																			K
Type code		F	L	M	-															

** Standard

Please contact our sales for all questions concerning configuration settings and customized versions: **+41 61 756 63 00** or **sales@voegtlin.com**

Do you have any questions about our products?

Give us a call:

+41 (0)61 756 63 00

Or write us an e-mail:

info@voegtlin.com

You will find your local Vögtlin sales partner on the internet:

www.voegtlin.com

Vögtlin Instruments AG – flow technology

Langenhagstrasse 1 | 4147 Aesch (Switzerland)

Phone +41 (0)61 756 63 00 | Fax +41 (0)61 756 63 01

www.voegtlin.com | info@voegtlin.com

vögtlin 
instruments